

## ASS-DM-0110 Installation Instructions

1. Place bike on center stand on level, solid ground.
2. **Thread locking fluid should be applied to all fasteners (Item 13).**
3. Remove stock steering stabilizer located under & behind lower triple clamp.
4. Cover the instrument panel with a cloth or towel to protect it from the handlebars.
5. Remove the handlebars and place them on the towel out of the way of your triple clamp.
6. Remove the stock handlebar risers.
7. Remove the large bolt in the center of the triple clamp.
8. Loosen the four fork tube clamping bolts.
9. Gently raise the triple clamp about one inch. (Figure 1)
10. Place Frame Clamp Top (Item 11) across the two upper frame rails. (Figure 2)
11. Place the Frame Clamp Bottom (Item 12) below the two upper frame rails; install it using three M6 bolts (Item 10) torque to 85in lbs. (Figures 3&4)
12. Install the Frame Clamp Bridge (Item 9) using two M8 bolts (Item 2). (Figure 5)
13. Lower triple clamp back down until it is fully seated.
14. Install center triple clamp bolt.
15. Tighten the 4 fork tube clamping bolts.
16. Install the Under-bar Mount Plate (Item 7) and Under-bar Risers (Items 1 & 5) using two M10 bolts (Item 4). The risers are reversible to allow for two handlebar positions, ensure that the Fastway logos are facing outward. (Figure 6)
17. Install the Transfer Arm (Item 8) on the Fastway Steering Stabilizer using the M5 bolt (Item 6). (Figure 7)
18. Install the Fastway Steering Stabilizer to the Under-bar Mount Plate (Item 7) using two M6 bolts included with the Fastway Steering Stabilizer.
19. Install handlebars using the two Handlebar Top Clamps (Item 3) and four M8 bolts (Item 2). (Figure 8)
20. Installation is now complete.
21. **After a short ride, check that all fasteners are still tight.**

ITEM #	PART #	DESCRIPTION	QTY
1	LK-CL230R_revB	UNDERBAR RISER	1
2	70-2825	BOLT M8x25 SOCKET S/S	6
3	LK-CL232_revB	Handlebar Top Clamp	2
4	VA1-12,9-M10-1,5-60	M10 x 60mm Bolt	2
5	LK-CL230L_revB	UNDERBAR RISER	1
6	VC1-10,9-M5-0,8-25-BLZ	M5 bolt, 25mm long (1")	1
7	LK-PL157_revA	STABILIZER UNDER-BAR MOUNT PLATE	1
8	LK-PL158_revA	TRANSFER ARM	1
9	LK-PL159_revA	FRAME CLAMP BRIDGE	1
10	70-2635	BOLT M6X35 SOCKET S/S	3
11	LK-CL259_revA	FRAME CLAMP TOP	1
12	LK-CL260_revA	FRAME CLAMP BOTTOM	1
13	LOCTITE2	LOCTITE RED	1

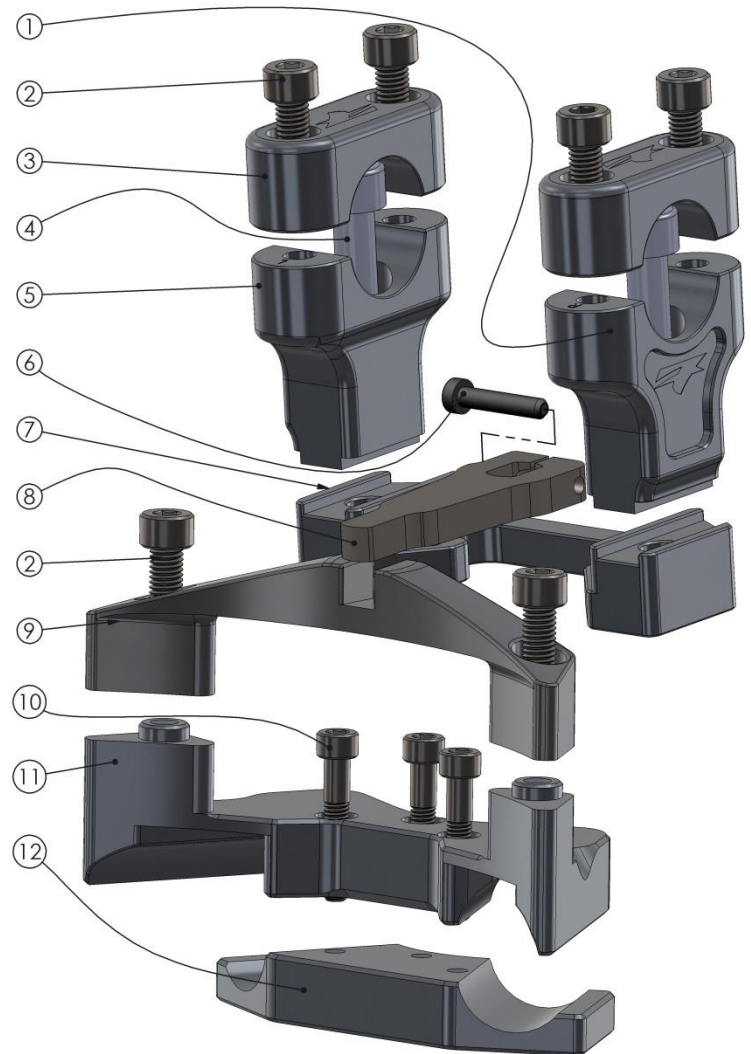




Figure 1



Figure 2



Figure 3



Figure 4



Figure 5



Figure 6



Figure 7



Figure 8

**Thanks for purchasing a Fastway steering stabilizer. If you have any questions feel free to give us a call toll free at 866-466-4762 or e-mail [sales@promotobillet.com](mailto:sales@promotobillet.com)**