

Instructions: ASS-DM-0113

1. Install frame clamp using the frame clamp instructions.
2. A small amount of semi-permanent thread locking fluid (Blue Loctite #243 or equivalent) should be applied to all fasteners.
3. If not already removed, remove the handlebar top clamps, handlebars, hour meter, and stock handlebar risers.
4. Install the relocation mount with the M4 (item 8) bolts as shown in figure 1 with these bolts in the through holes to the triple clamp. Use the stock bolts to mount the hour meter in the threaded holes.
5. Install the stabilizer on the underbar mount (item 1) using the M6 bolts provided with the stabilizer.
6. Set the underbar mount and stabilizer on the triple clamp. Make sure the height of the tower pin is adjusted so that the top of the pin is flush with the top of the transfer arm. **See frame clamp instructions for details.**
7. Install the handlebar risers (Items 2 & 3) in a position to suit the rider's preference. The risers are offset so that switching the left and right risers will offset the handlebars 4mm.
8. Attach the handlebar risers with the two M10 bolts (Item 6) and torque to 40Nm (29.5 lbf ft).
9. Install handlebar and handlebar top clamps (Item 4) using the M8 bolts (Item 5). The gap between the handlebar top clamps and the handlebar risers should be equal from front to back when tightening bolts.

ITEM #	PART #	DESCRIPTION	QTY
1	LK-PL165_revA	UNDERBAR MOUNT PLATE	1
2	LK-CL230R_revB	UNDERBAR RISER RIGHT	1
3	LK-CL230L_revB	UNDERBAR RISER LEFT	1
4	LK-CL232_revB	Handlebar Top Clamp	2
5	70-2825	BOLT M8x25 SOCKET S/S	4
6	VA1-12.9-M10-1,5-60	M10 x 60mm Bolt	2
7	LK-PL167	MOUNT, HOUR METER	1
8	70-2412	BOLT M4x12 SOCKET S/S	2

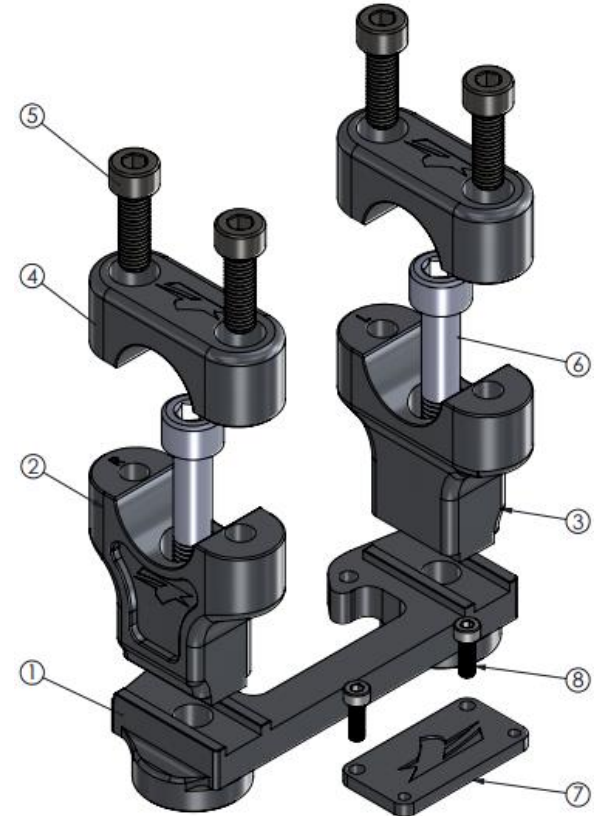


Figure 1



Figure 2



Note: Some reference pictures are taken during initial prototyping and may not reflect the final color of certain components

See our entire product line at promotobillet.com