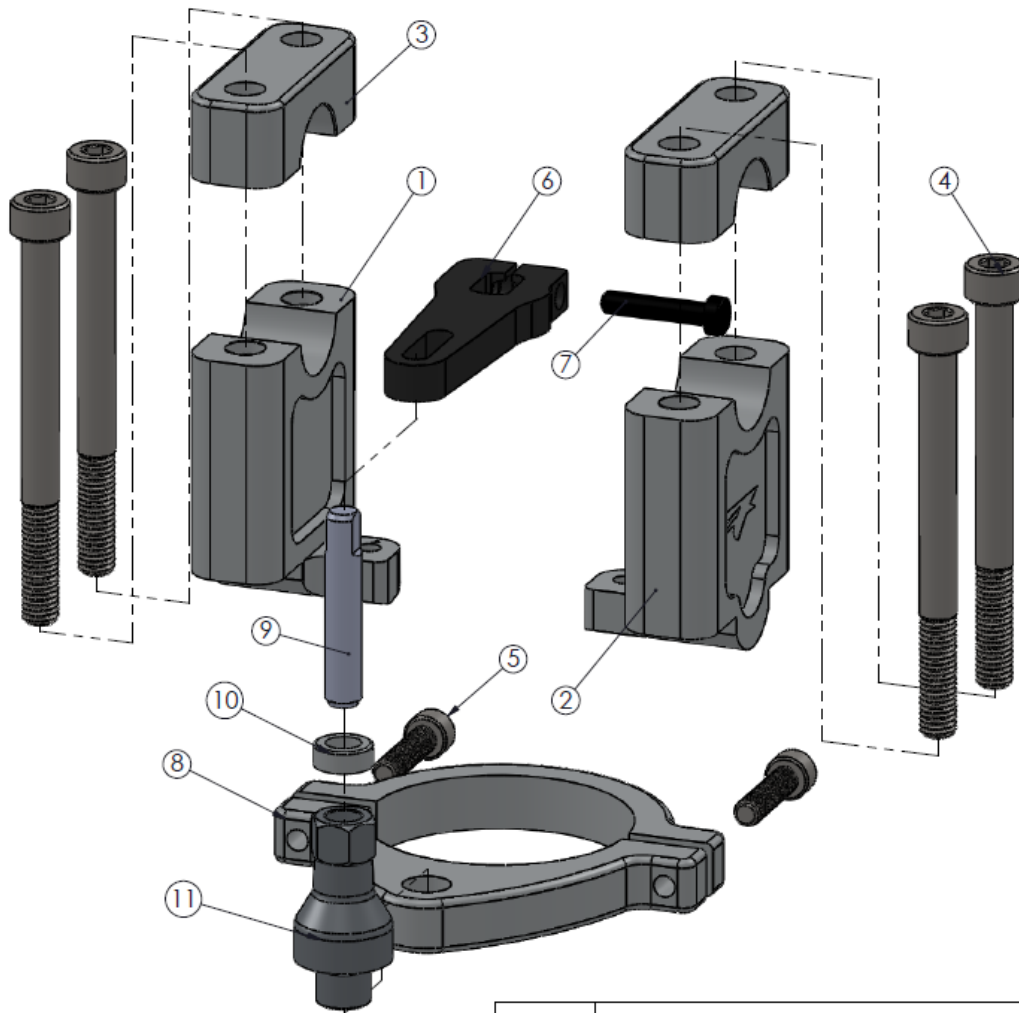




Stabilizer Mount Installation



ASS-DM-0507

Suzuki DRZ400

ITEM NO.	DESCRIPTION	QTY.
1	DRZ400S Underbar Damper Mount	1
2	DRZ400S Underbar Damper Mount	1
3	DRZ 400 Top Clamps	2
4	BOLT M8X90 SOCKET S/S	4
5	BOLT M6X25 SOCKET S/S	2
6	Transfer Arm	1
7	M5 bolt, 25mm long (1")	1
8	DRZ400 Frame Clamp	1
9	Tower Pin 48mm	1
10	Aluminum Pin Spacer	1
11	Frame Mount Post	1

1. Remove the plastic piece surrounding the headlight and place it aside.
2. Remove the handlebar clamps, set handlebars and ignition switch aside.
3. Apply some permanent thread locking fluid (red Loctite #271) to the frame mount pin then screw it into the frame mount clamp. (Figure 1)
4. Install both halves of the frame clamp on the bike, centering it properly. It may be necessary to file the weld bead to achieve proper fit. (Figure 2 & 3)



Figure 1



Figure 2



Figure 3

5. Position frame clamp so that the top of the frame is flush with the top of the clamp. (Figure 4)
6. Apply some semi-permanent thread locking fluid (blue Loctite #243) to both M6 bolts. Tighten both M6 bolts evenly. (Figure 5)
7. Insert the Aluminum pin spacer over the frame mount pin. Apply some grease to the frame mount pin then insert it in the frame clamp post on the bike.
8. Apply some semi-permanent thread locking fluid (blue Loctite #243) to the M5 bolt and attach the transfer arm to the stabilizer. (Figure 6)



Figure 4



Figure 5



Figure 6

9. Using the 6mm bolts packaged with the stabilizer, attach the stabilizer to the riser mounts. Do not tighten bolts yet. (Figure 7)
10. Install the stabilizer and riser mounts. Ensure the frame clamp pin is set at the same height as the transfer arm and insert the frame clamp pin into the slot on the transfer arm.

11. Replace handlebars using supplied top caps and bolts. Make sure to maintain an even gap between the top caps and the riser mounts when tightening bolts. (Figure 8)
12. Tighten stabilizer bolts.
13. Turn handlebars in both directions and make sure that the forks bottom out on the frame stops. If not, loosen the frame clamp and rotate slightly. Tighten frame clamp and recheck.



Figure 7



Figure 8

Thanks for purchasing a Fastway steering stabilizer. If you have any questions feel free to give us a call toll free at 866-466-4762 or e-mail sales@promotobillet.com