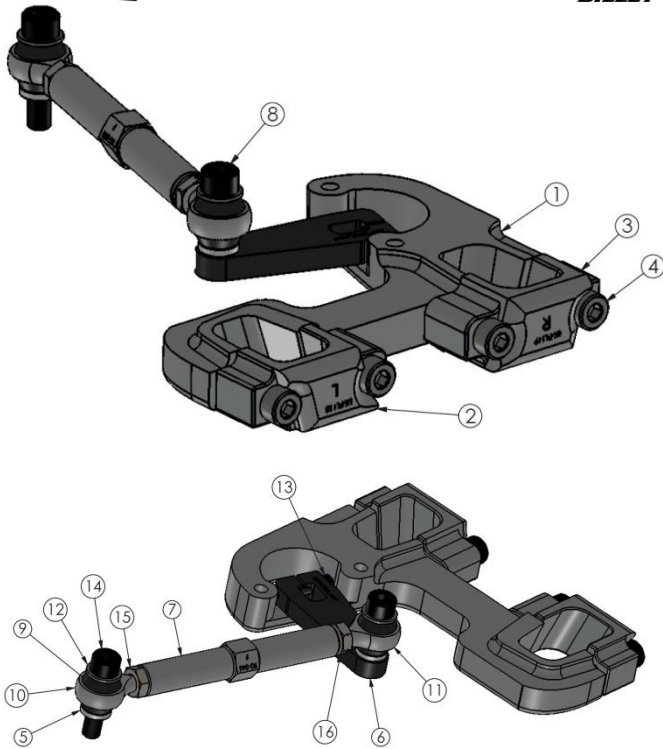




ASV-LM-0824

Stabilizer Mounting Instructions 2009 Yamaha YFZ450R

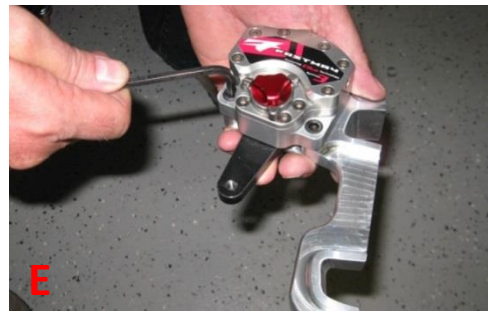


ITEM NO.	PART NUMBER	DESCRIPTION	QTY
1	LK-PL120	LK-PL120 MOUNTING PLATE	1
2	LK-PL118	LK-PL118 LEFT CLAMP	1
3	LK-PL119	LK-PL119 RIGHT CLAMP	1
4	VB1-12,9-M8-1,25-40-BLZ	M8 bolt, 40mm long (1.575")	4
5	LK-SP062_revB	Link Arm Spacer	2
6	LK-PL010_revF	Control Arm ATV	1
7	LK-TG046_revF	Damper Arm Link 105mm	1
8	VB1-12,9-M8-1,25-30-BLZ	BOLT M8x30 SOCKET	1
9	LK-MS150	Heim Joint Cover	4
10	POS8	M8x1.5 Heim Joint	1
11	POS8L	M8x1.25 Left Hand Heim Joint	1
12	70-6008	Washer M8 Flat S/S	2
13	VC1-10,9-M5-0,8-25-BLZ	M5 bolt, 25mm long (1")	1
14	VB1-12,9-M8-1,25-35-BLZ	M8 bolt, 35mm long (1-3/8")	1
15	70-5018	M8x1.25 Jam Nut	1
16	70-5018L	M8x1.25 Left Hand Jam Nut	1

1. A small amount of semi-permanent thread locking fluid (Blue Loctite #243 or equivalent) should be applied to all fasteners included with the stabilizer kit. After a short first ride, check that all bolts are still tight.
2. Remove the Cowling from the nose/front of the ATV, refer to your owner's manual for instructions. Square the front wheels up so that they are centered. This is required for proper installation and adjustment of your steering damper. (Picture A)
3. Loosely install the steering stem clamp onto the steering stem with the four M6 x 16mm SHCS provided. The steering stem clamp bolts should be facing forward. (Picture B)
4. Insert the transfer arm (Item# 6) onto the sweep of the damper unit. One side of the transfer arm has a notch which allows clearance of the bolt's head. Bolt the transfer arm to the damper unit using the M5 x 25mm SHCS (Item# 13) provided. (Pictures C and D)
5. Bolt the damper unit and transfer arm onto the mounting plate (Item# 1) using two M6 x 16mm SHCS. (Picture E)
6. Place the mount plate on the front frame of the ATV. It should fit snug with little to no play. Clamp the mount plate to the frame using the left and right clamps (Item# 2 and 3) and the four M8 x 40mm SHCS (Item# 4). Snug the outside bolts first and then the inside bolts, using the same method when torquing. (Picture F)



7. Install the left and right heim joints (Item# 10 and 11) and left and right jam nuts (Item# 15 and 16) onto the damper arm link (Item# 7). The left heim joint and left jam nut have left handed threads as well as the side of the damper arm link that has a groove near the edge. Set the center to center hole distance of the heim joints to approximately 6.5 inches (165 mm). Check that the heim joints have an equal amount of threads showing out of the damper arm link. (Picture H)
8. Tighten the jam nuts. Be sure to keep the heim joints flat to each other.
9. Bolt the damper arm link to the transfer arm using the M8 x 30mm SHCS (Item# 8). Make sure to include two heim joint covers (Item# 9), an 8mm washer (Item# 12), and a link arm spacer (Item# 5).
10. Loosely bolt the steering stem clamp to the damper arm link using two seals, an 8mm washer, a link arm spacer, and the M8 x 35mm SHCS (Item# 14).
11. Position the steering stem clamp so that it bolts to the linkage at a 90 degree angle and is perpendicular to the steering shaft. The bottom of the clamp should be approximately 1 7/8" (47.6mm) above the frame. Tighten all bolts after everything is properly positioned, all components are properly routed, and all steering components are uninhibited.
12. Be sure to tighten the set screw on the back of the steering stem clamp (Picture I). Double check the travel of your steering system for any obstructions or abnormalities and make sure all bolts are tight and secure. **Warning: Make sure the steering stops restrict the travel and not the damper unit itself.**



Thanks for purchasing a Fastway Steering Stabilizer. If you have any questions feel free to give us a call toll free at 866-466-4762 or e-mail sales@promotobillet.com