

# KTM Underbar Mount Instructions (ASS-MC-0103)

ITEM NO.	PART NUMBER	DESCRIPTION	QTY.
1	LK-CL246_revA	Frame Mount	1
2	70-2620	M6 x 20mm Bolt	2
3	LK-PL135	Transfer Arm	1
4	VC1-10,9-M5-0,8-25-BLZ	M5 x 25mm Bolt	1
5	LK-PL136_revA	Stabilizer Mount	1
6	70-2630	M6 x 30 Bolt	2
7	LK-MS033_revB	Frame Mount Tower	1
8	LK-PN011_revC	Tower Pin	1
9	LK-SP090_revA	Aluminum Pin Spacer	1

1. Place bike on centerstand on level solid ground.
2. Remove the four plastic plugs on the triple clamp and frame (two each). Some plugs have a small button in the center that must be pushed in to remove. (Figure 1)

3. Apply a small amount of medium strength thread locking fluid to the supplied M6 x20mm bolts (Item 2). Attach the frame mount (Item 1) to the frame and tighten bolts. (Figure 2)
4. Apply a small amount of medium strength thread locking fluid to the frame mount tower (Item 7). Thread it into the frame mount and tighten.

5. Apply a small amount of medium strength thread locking fluid to the M5 x 25mm bolt (Item 4) and attach the transfer arm (Item 3) to the stabilizer. (Figure 3)

6. Apply a small amount of medium strength thread locking fluid to the M6 x 30mm bolts (Item 6) and attach the stabilizer mount (Item 5). The stabilizer mount is reversible to allow for both positions of the stock handlebar clamps. Only the holes closest to the handlebars should be used to attach the stabilizer to the mount. If the stabilizer cannot be attached to the mount using the closest set of holes, remove the mount. (Figure 4)

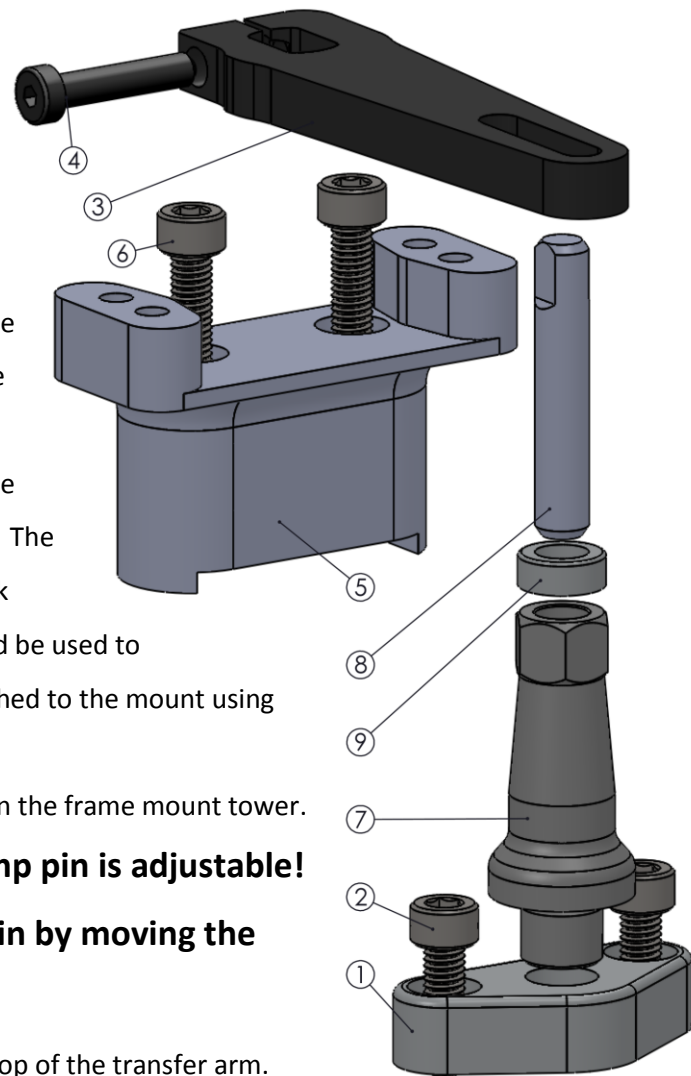
7. Apply a light coat of grease to the tower pin (Item 8) then insert it in the frame mount tower.

**The aluminum pin spacer (Item 9) on the frame clamp pin is adjustable!**

**Use a hammer or press to adjust the height of the pin by moving the spacer.**

8. Adjust the height of the tower pin so that the top is flush with the top of the transfer arm. (Figure 5)

9. Apply a small amount of medium strength thread locking fluid to the M6 bolts packaged with the stabilizer and attach the stabilizer to the mount. (Figure 6)



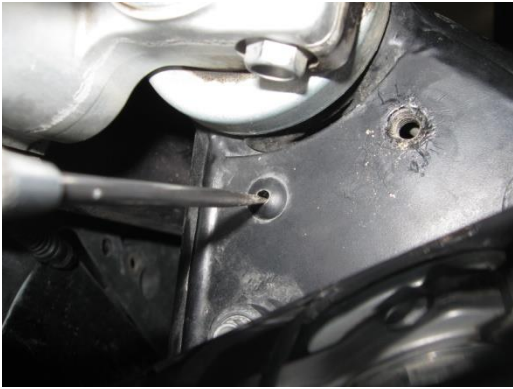


Figure 1



Figure 2



Figure 3

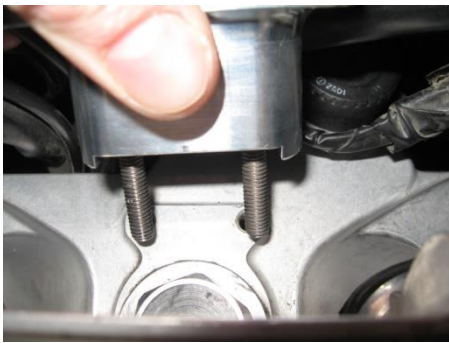


Figure 4



Figure 5



Figure 6